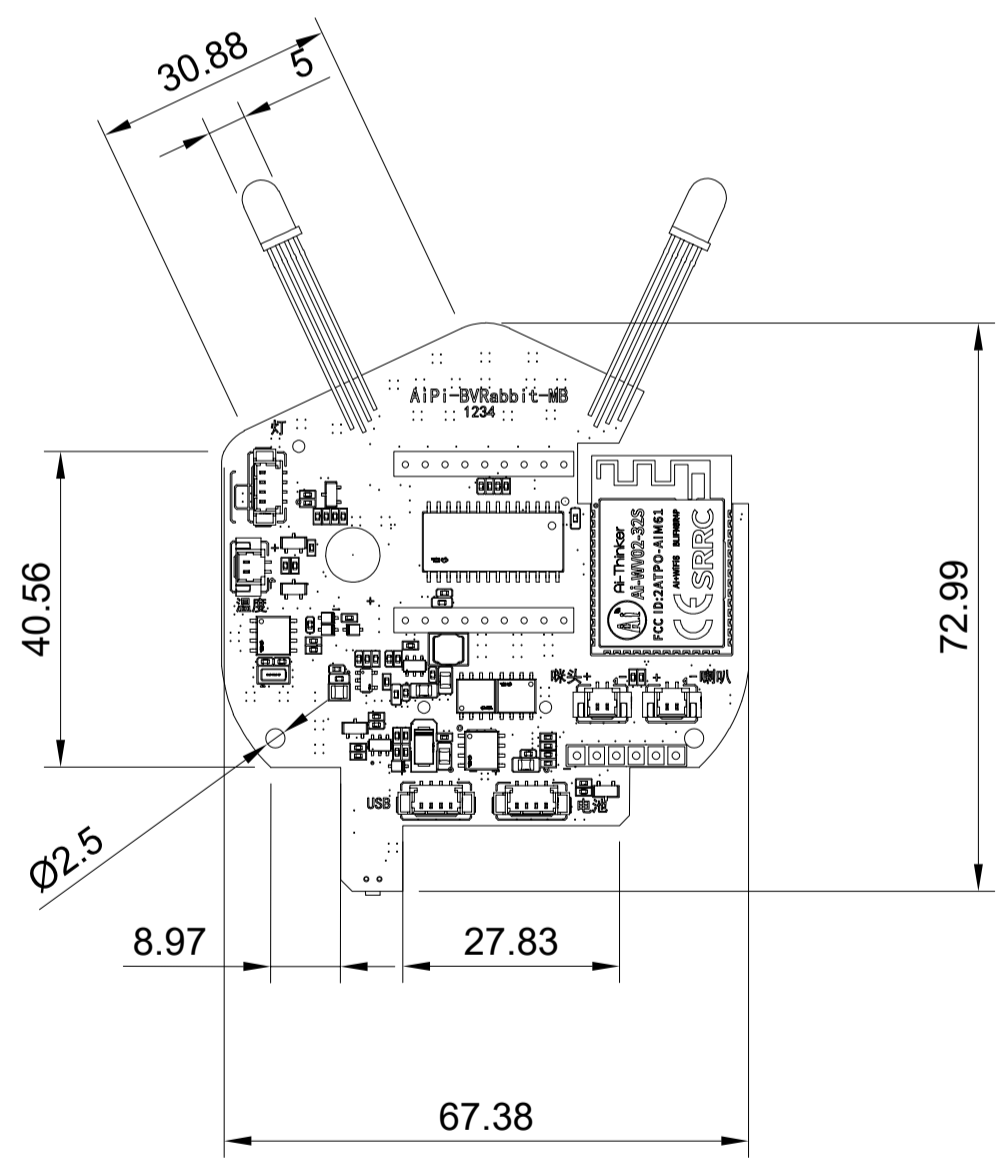
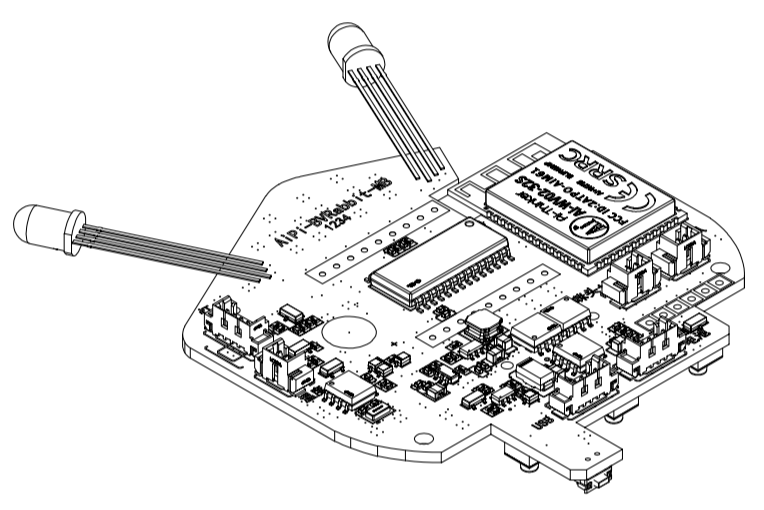
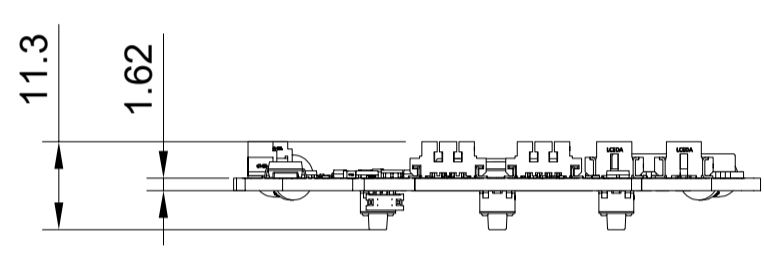
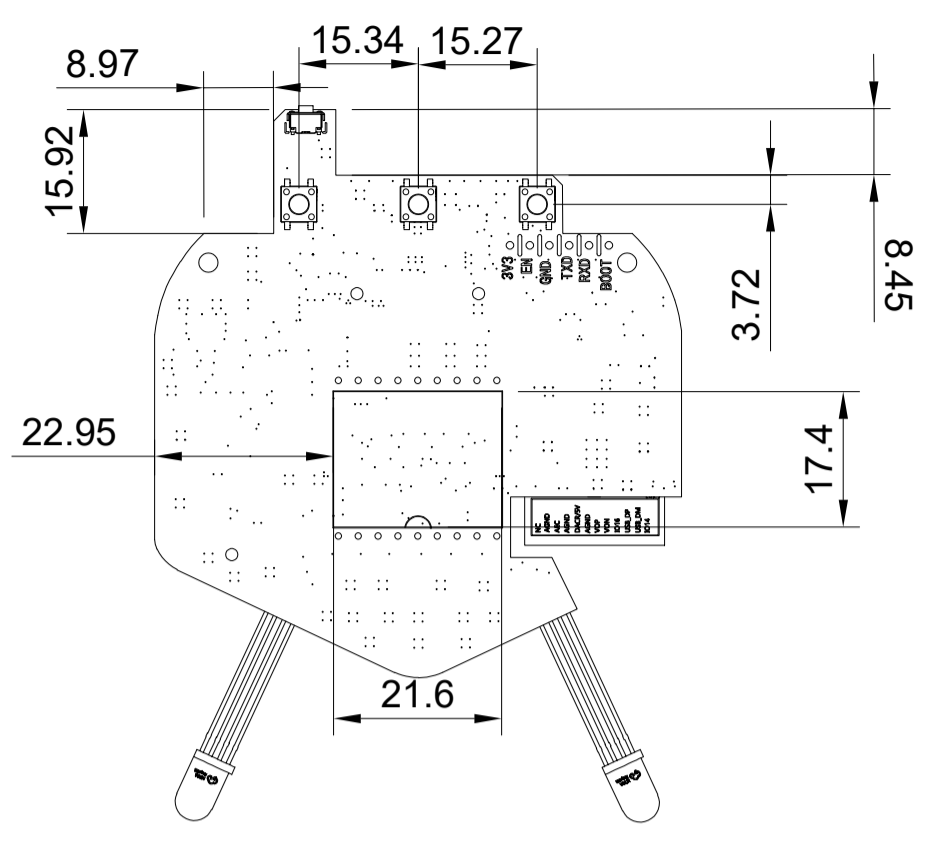


A
B
C
D
E
F
G
H



Dept.	Technical reference	Created by Seahi mo	2026/6/11	Approved by
		Document type		Document status
		Title AiPi-BVRabbit-MB_V1.2-PCB		DWG No.
		Rev.	Date of issue	Sheet 1/1